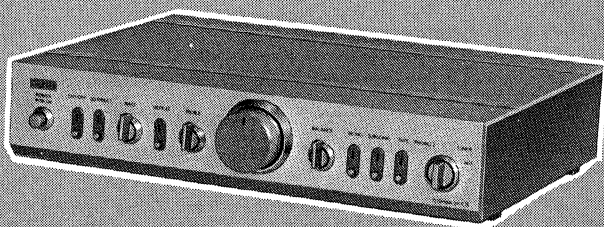


# TOSHIBA

## STEREO PREAMPLIFIER

# SY-C15



### SPECIFICATIONS

Input Sensitivity/ Impedance:	PHONO 1, 2 2.5mV/47K ohm TUNER 150mV/47K ohm AUX/TAPE 150mV/47K ohm	Frequency Response:	AUX 10 Hz ~ 100 kHz $\begin{matrix} +0 \\ -2 \end{matrix}$ dB PHONO 20 Hz ~ 20 kHz $\pm 0.2$ dB (RIAA equalization)
Output Level:	TAPE REC 150mV PRE OUT 1V	Phono Overload Level:	300mV
Total Harmonic Distortion:	0.01%	<b>GENERAL</b>	
S/N (IHF A Network):	PHONO 88 dB AUX 106 dB	Power Supply:	AC 220V 50 Hz or AC 240V 50 Hz
Tone Control:	BASS (at 100 Hz) $\pm 10$ dB TREBLE (at 20 kHz) $\pm 10$ dB	Power Consumption:	12W
Filter:	SUBSONIC (at 10 Hz) -6 dB/Oct	Weight:	2.7 kg
		Dimensions (mm):	257(W) x 54(H) x 208(D)

Specifications are subject to change without notice.

TE, TU, AY

# 1. OPERATING CONTROLS

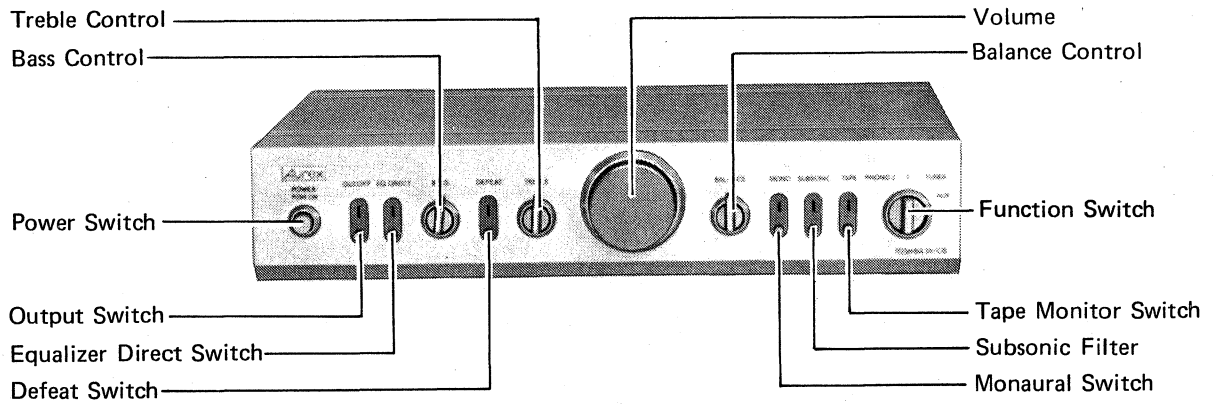


Figure 1.

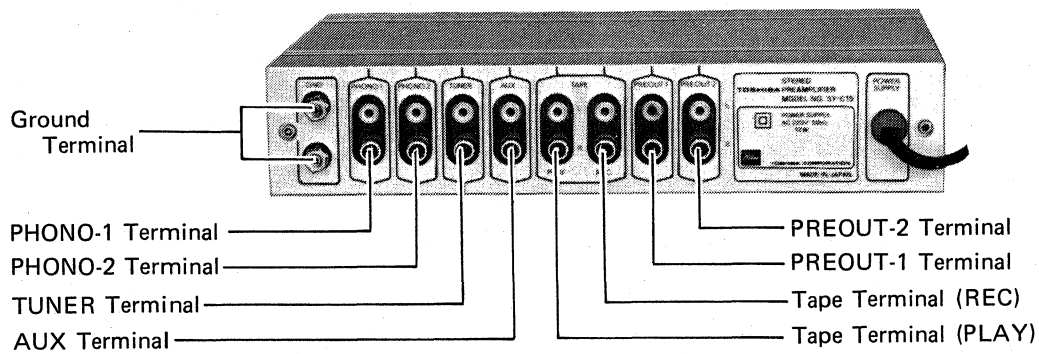


Figure 2.

## 2. DISASSEMBLY INSTRUCTIONS

### PANEL REMOVAL

1. Remove 3 Knobs ①. See figure 3.
2. Remove 4 Screws ② and ③. See figure 4.
3. Remove the panel from the Set.

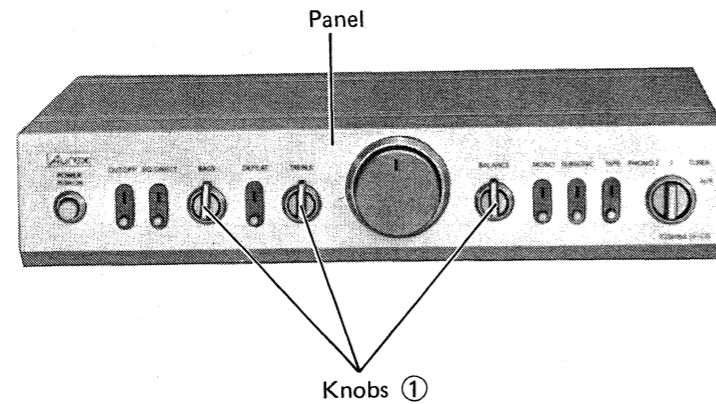


Figure 3.

### BOTTOM PLATE REMOVAL

1. Remove the Panel. See figure 3 and 4.
2. Remove 6 Screws ④. See figure 4.
3. Remove the bottom plate from the set.

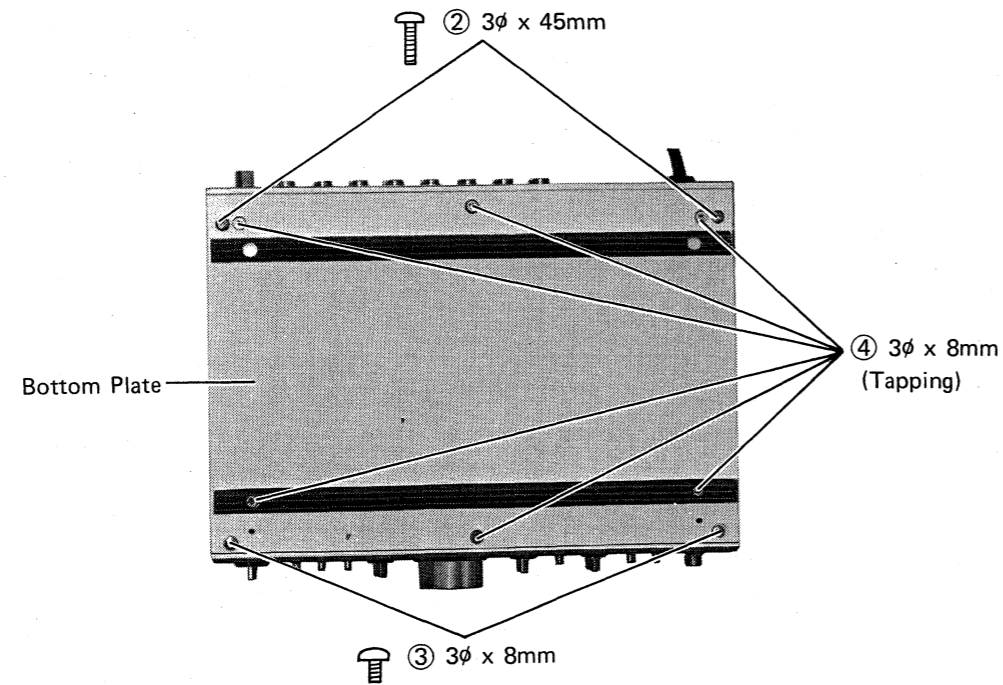


Figure 4.

## 3. NEUTRAL VOLTAGE ADJUSTMENTS

1. Never apply signal.
2. Connect DC voltmeter to chassis ground.
3. Tone control BASS MAX
4. Connect DC voltmeter to test pin and adjust semi-fixed variable resistor to obtain  $0 \pm 3mV$ .

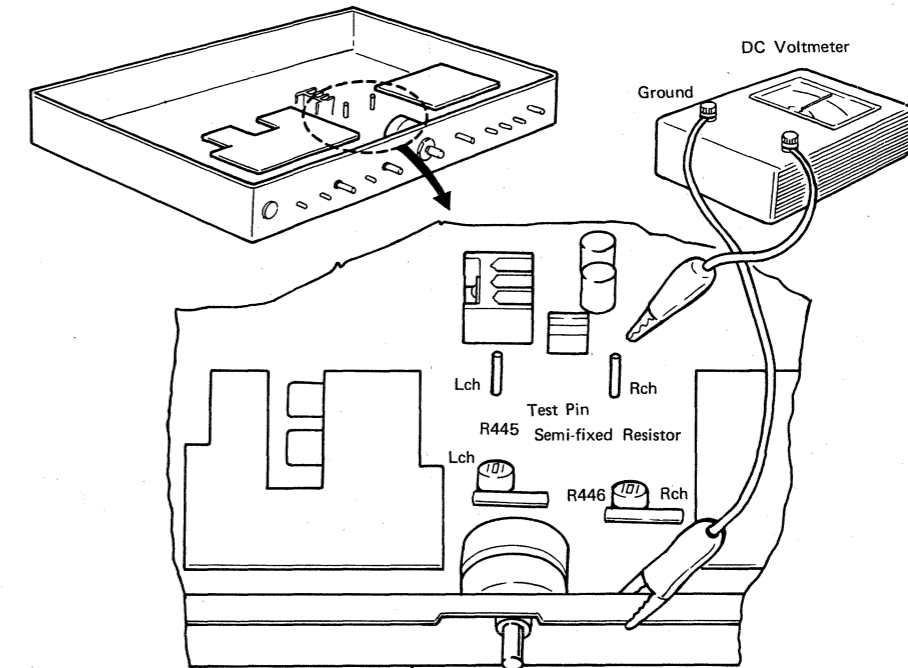


Figure 5.

## 4. BLOCK DIAGRAM

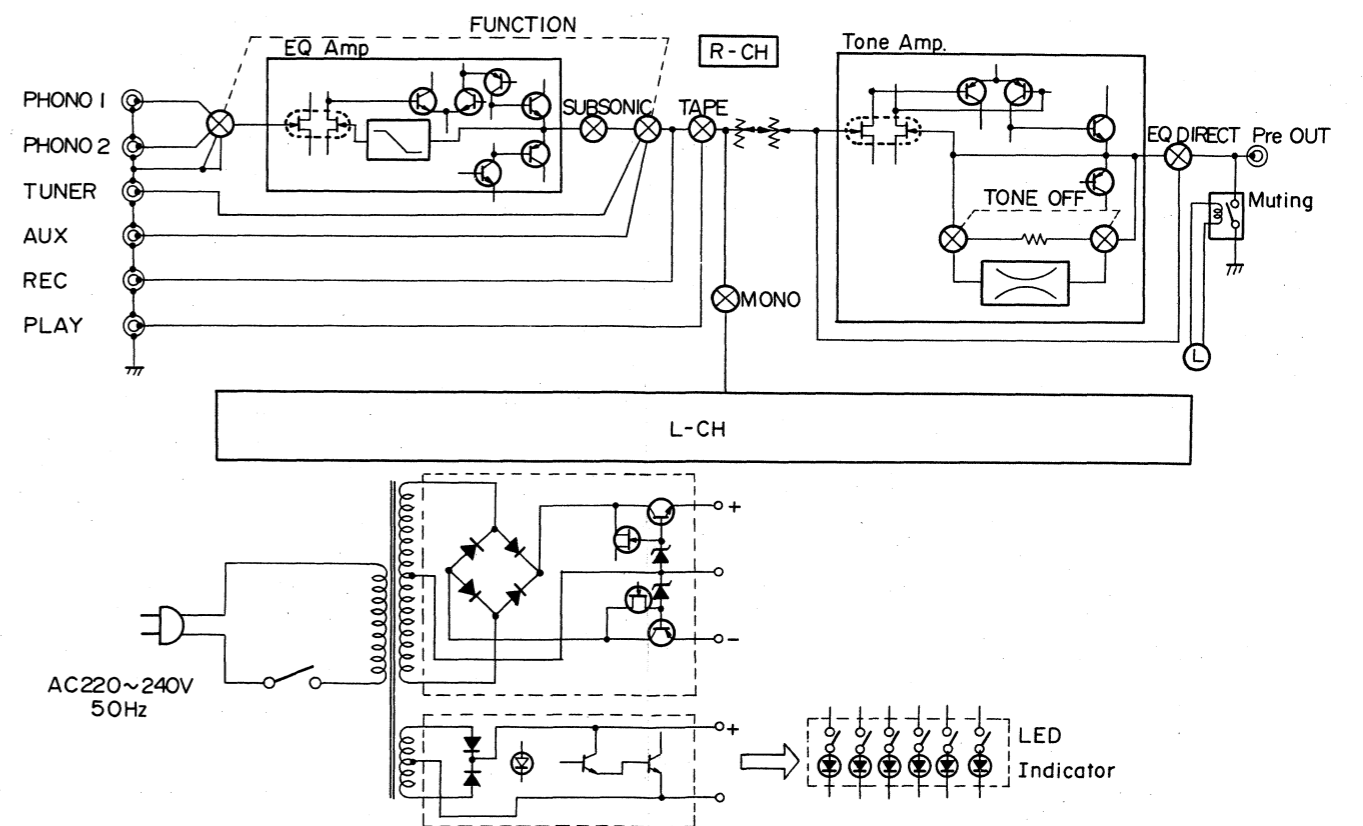


Figure 6.

5. SCHEMATIC DIAGRAM

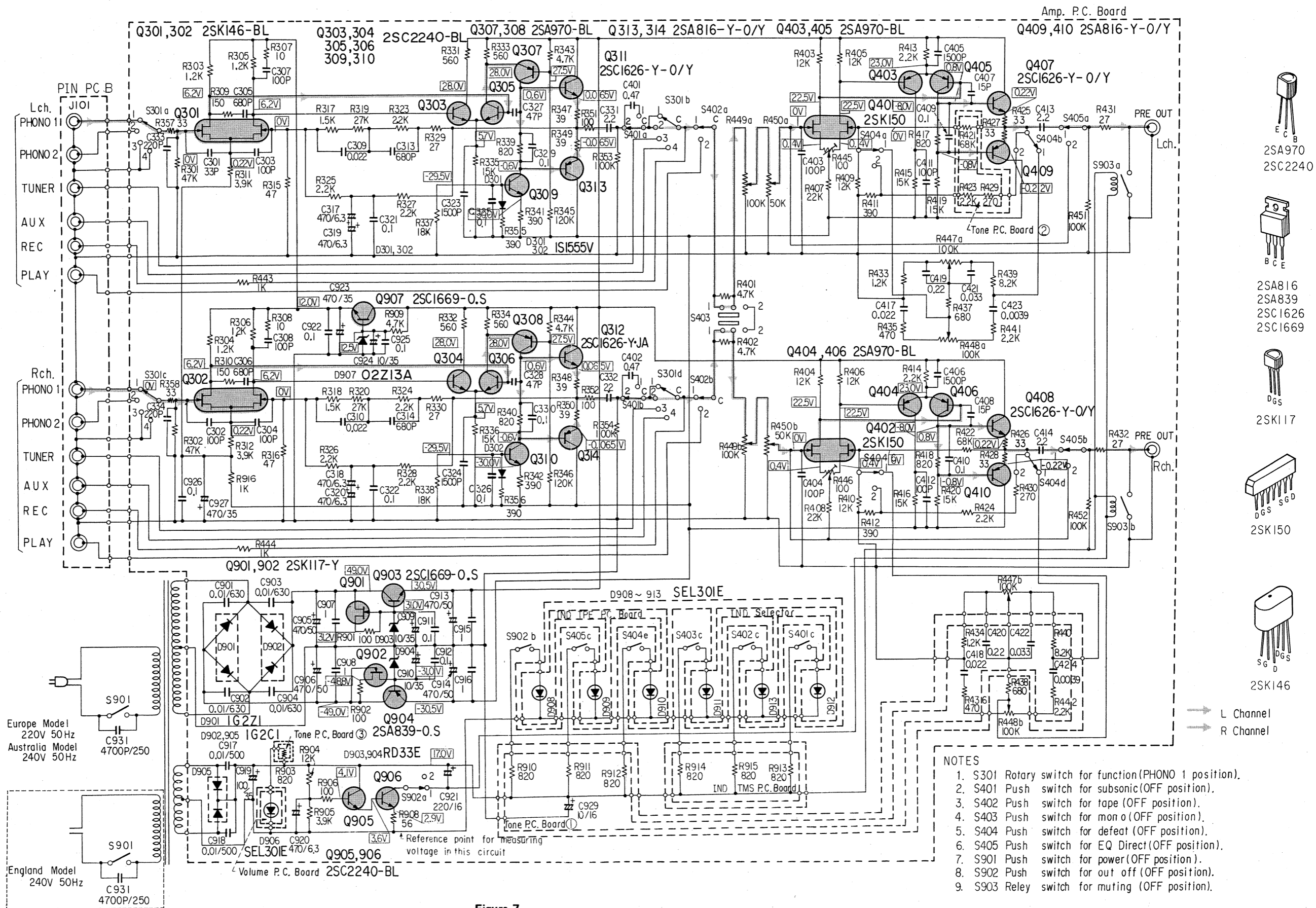


Figure 7.

6. P.C. BOARD PARTS LOCATIONS

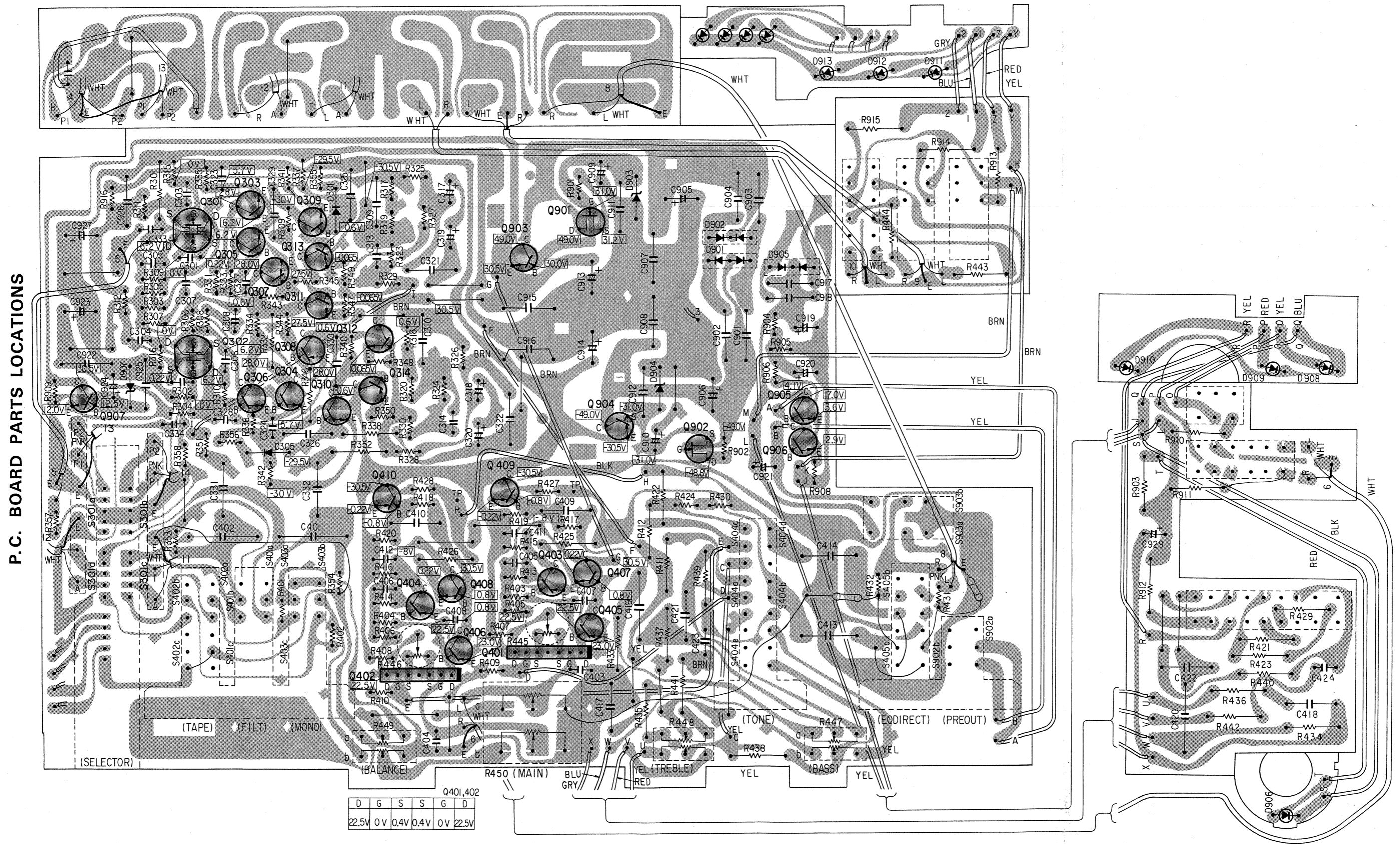
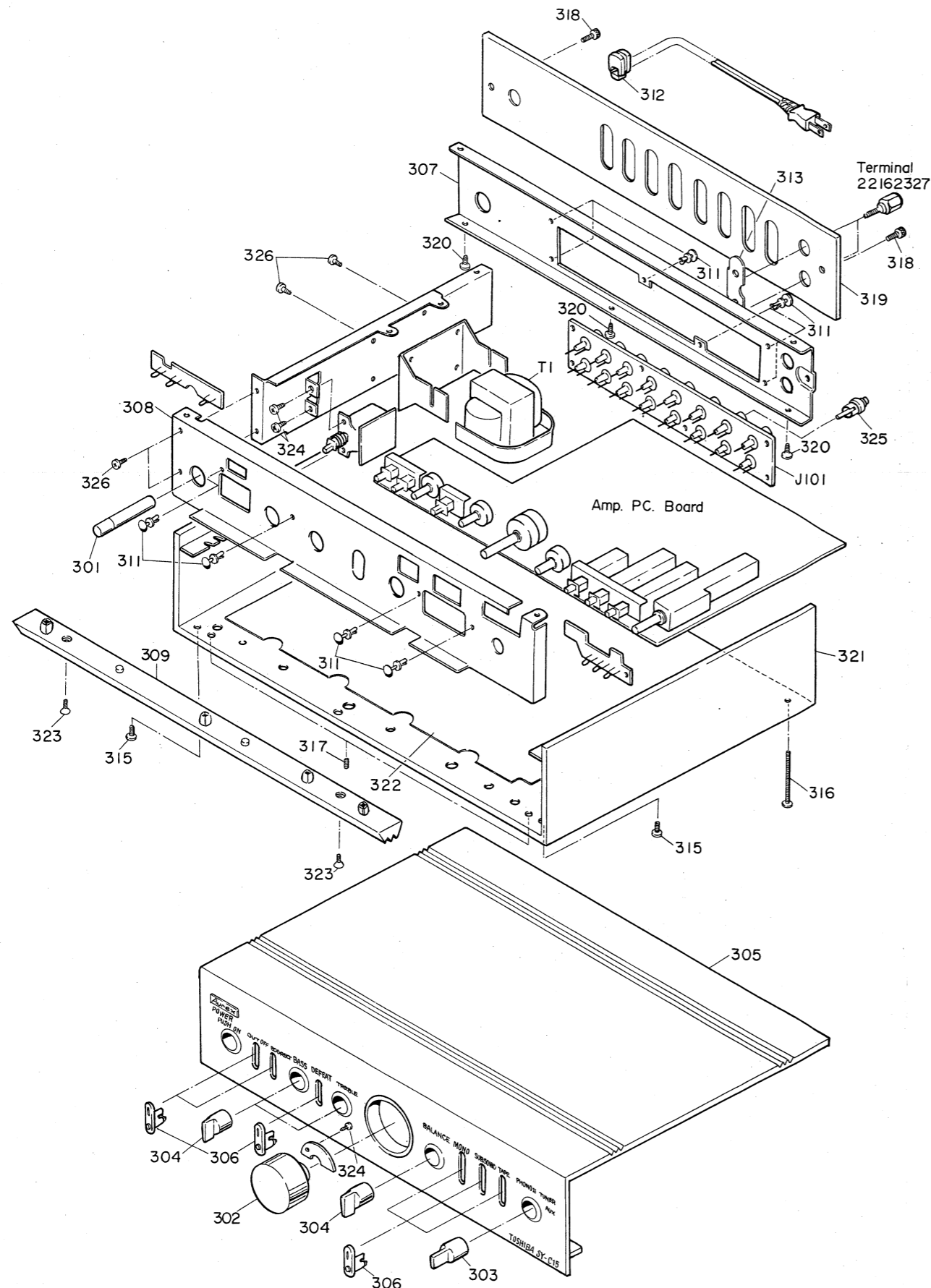


Figure 8.

## 7. CABINET PARTS LOCATIONS



NOTE: Excluded parts in the Parts List are not available as replacement parts.

Figure 9.

## 8. PARTS LIST

Symbol No.	Part No.	Description	Symbol No.	Part No.	Description
<b>CABINET PARTS</b>					
				22223287	Transformer, Power (England/Australia)
S301	22195185	Knob, Power		22195229	Switch, Rotary, Function
S401, 402, 403	22195229	Knob, Volume			Switch, Push, Subsonic/Tape/Mono
S404	22195184	Knob, Function			Switch, Push, Defeat
S405, 902	22195183	Knob, Bass/Treble/Balance			Switch, Push, Out Off/EQ Direct
S901	22146295	Panel Ass'y			Switch, Push, Power
S903	22148650	Knob, Out Off/EQ Direct/Defeat/Mono/Subsonic/Tape			Relay
J101	22163702	Leg			Jack, US 16P
				22162327	Terminal, Ground
				22176286	Cord, Power (Europe)
				22176536	Cord, Power (England)
				22176588	Cord, Power (Australia)
<b>CAPACITORS</b>					
J = ±5%, K = ±10%, G = ±2%, Z = -20+80%, P = -0+100%					
C301, 302	22380079	Rivet, 3φ x 4.5mm			Polystyrene Film, 33pF, J, 125V
C303, 304	22388101	Bushing, Power Cord			Polystyrene Film, 100pF, K, 125V
C305, 306	22388681	Screw (BID), 3φ x 8mm			Polystyrene Film, 680pF, K, 125V
C307, 308	22388101	Screw (BID), 3φ x 45mm			Polystyrene Film, 100pF, K, 125V
C309, 310	22370242	Screw, Special			Metalized Polyester Film (V Type) 0.122mfd, G, 250V
					Metalized Polyester Film (V Type) 0.0345mfd, G, 400V
C313, 314	22370241	Screw, Special			Electrolytic, 470mfd, 6.3V
					Electrolytic, 470mfd, 6.3V
C317, 318	22442471	Panel, Jack (Europe)			Metalized Polyester Film (V Type) 0.1mfd, K, 250V
C319, 320	22442471	Panel, Jack (England/Australia)			Polystyrene Film, 1500pF, J, 125V
C321, 322	22370186	Chassis			Metalized Polyester Film (V Type) 0.1mfd, K, 250V
					Polystyrene Film, 1500pF, J, 125V
C323, 324	22380084	Screw, 3φ x 8mm, Tapping			Metalized Polyester Film (V Type) 0.1mfd, K, 250V
					Polystyrene Film, 47pF, J, 125V
C325, 326	22370186	Screw (BID), 3φ x 6mm			Metalized Polyester Film (V Type) 0.1mfd, K, 250V
					Metalized Polyester Film (V Type) 0.1mfd, K, 250V
C327, 328	22380080	Plug, US 1P			Polystyrene Film, 15pF, J, 125V
C329, 330	22370186				Metalized Polyester Film (V Type) 0.1mfd, K, 250V
					Metalized Polyester Film (V Type) 2.2mfd, K, 250V
C331, 332	22370209				Polystyrene Film, 220pF, J, 500V
					Metalized Polyester Film (V Type) 0.47mfd, K, 250V
C333, 334	22380097				Polystyrene Film, 100pF, K, 125V
C401, 402	22370187				Polystyrene Film, 1500pF, J, 125V
					Polystyrene Film, 15pF, J, 125V
C403, 404	22388101				Metalized Polyester Film (V Type) 0.1mfd, K, 250V
C405, 406	22380084				Metalized Polyester Film (V Type) 0.1mfd, K, 250V
					Polystyrene Film, 100pF, K, 125V
C407, 408	22380065				Metalized Polyester Film (V Type) 2.2mfd, J, 250V
C409, 410	22370186				Metalized Polyester Film (V Type) 0.022mfd, K, 400V
C411, 412	22388101				
C413, 414	22370209				
C417, 418	22370190				
<b>ELECTRICAL PARTS</b>					
T1	22223274	Transformer, Power (Europe)			

Symbol No.	Part No.	Description	Symbol No.	Part No.	Description
C419, 420	22370227	Metalized Polyester Film (V Type) 0.22mfd, K, 250V	R335, 336	22555153	15K ohm
C421, 422	22370195	Metalized Polyester Film (V Type) 0.033mfd, J, 400V	R337, 338	22555183	18K ohm
C423, 424	22388392	Polystyrene Film, 3900pF, K, 125V	R339, 340	22555821	820 ohm
C901, 902	22370181	Metalized Polyester Film (V Type) 0.01mfd, K, 630V	R341, 342	22555391	390 ohm
C903, 904	22370181	Metalized Polyester Film (V Type) 0.01mfd, K, 630V	R343, 344	22555472	4.7K ohm
C905, 906	22448471	Electrolytic, 470mfd, 50V	R345, 346	22545124	120K ohm
C907, 908	22370208	Metalized Polyester Film (V Type) 1mfd, K, 250V	R347, 348	22555390	39 ohm
C909, 910	22447100	Electrolytic, 10mfd, 35V	R349, 350	22555390	39 ohm
C911, 912	22370186	Metalized Polyester Film (V Type) 0.1mfd, K, 250V	R351, 352	22555101	100 ohm
C913, 914	22448471	Electrolytic, 470mfd, 50V	R353, 354	22555104	100K ohm
C915, 916	22370208	Metalized Polyester Film (V Type) 1mfd, K, 250V	R355, 356	22555391	390 ohm
C917, 918	22340030	Ceramic, 0.01mfd, P, 500V	R357, 358	22555330	33 ohm
C919	22447101	Electrolytic, 100mfd, 35V	R401, 402	22555472	4.7K ohm
C920	22442471	Electrolytic, 470mfd, 10V	R403, 404	22555123	12K ohm
C921	22445221	Electrolytic, 220mfd, 16V	R405, 406	22555123	12K ohm
C922	22370186	Metalized Polyester Film (V Type) 0.1mfd, K, 250V	R407, 408	22555223	22K ohm
C923	22447471	Electrolytic, 470mfd, 35V	R409, 410	22555123	12K ohm
C924	22447100	Electrolytic, 10mfd, 35V	R411, 412	22555391	390 ohm
C925	22370186	Metalized Polyester Film (V Type) 0.1mfd, K, 250V	R413, 414	22555222	2.2K ohm
C926	22370186	Metalized Polyester Film (V Type) 0.1mfd, K, 250V	R415, 416	22555153	15K ohm
C927	22447471	Electrolytic, 470mfd, 35V	R417, 418	22555821	820 ohm
C929	22445100	Electrolytic, 10mfd, 16V	R419, 420	22555153	15K ohm
C931	22340090	Ceramic, 4700pF, Z, 250V	R421, 422	22545683	68K ohm
<b>RESISTORS</b>			R423, 424	22555222	2.2K ohm
<b>All resistors are 1/4W, ±5%, carbon film unless otherwise noted.</b>			R425, 426	22555330	33 ohm
R301, 302	22555473	47K ohm	R427, 428	22555330	33 ohm
R303, 304	22555122	1.2K ohm	R429, 430	22545271	270 ohm
R305, 306	22555122	1.2K ohm	R431, 432	22555270	27 ohm
R307, 308	22555100	10 ohm	R433, 434	22545122	1.2K ohm
R309, 310	22555151	150 ohm	R435, 436	22545471	470 ohm
R311, 312	22555392	3.9K ohm	R437, 438	22545681	680 ohm
R315, 316	22540153	47 ohm, ±1%	R439, 440	22545822	8.2K ohm
R317, 318	22555152	1.5K ohm	R441, 442	22545222	2.2K ohm
R319, 320	22550233	24K ohm, ±1%	R443, 444	22545102	1K ohm
R323, 324	22540155	2.2K ohm, ±1%	R445, 446	22658292	100 ohm, Semi-fixed
R325, 326	22555222	2.2K ohm	R447, 448	22651484	100K ohm, Variable, Bass/Treble
R327, 328	22555222	2.2K ohm	R449	22651483	100K ohm, Variable, Balance
R329, 330	22555270	27 ohm	R450	22651485	50K ohm, Variable, Volume
R331, 332	22555561	560 ohm	R451, 452	22555104	100K ohm
R333, 334	22555561	560 ohm	R901, 902	22555101	100 ohm
			R903	22545821	820 ohm
			R904	22555123	12K ohm
			R905	22555392	3.9K ohm
			R906	22555101	100 ohm
			R908	22555560	56 ohm
			R909	22555472	4.7K ohm
			R910, 911	22555821	820 ohm
			R912, 913	22555821	820 ohm
			R914, 915	22555821	820 ohm
			R916	22555102	1K ohm
<b>ACCESSORIES</b>					
				22902226	Owner's Manual
				22170388	Cord, Connection